

LINE OUT  
SOUND CARD

GRD

LINE OR MIKE IN  
SOUND CARD

GRD

PIN 7 DB9

PIN 4 DB9

PIN 5 DB9

PIN 1 DB9

XMIT LEVEL

REC LEVEL  
RADIO SPKR

XMIT AUDIO

RADIO GROUND

REC AUDIO

RADIO PTT  
VIA SWITCH

RADIO COS  
VIA SWITCH

**THE FOLLOWING PROJECT PROVIDES FOR THE  
INTERFACING OF HAM RADIO EQUIPMENT TO THE SOUND  
CARD AND SERIAL INTERFACE OF A PC TO PROVIDE FOR  
DIGITAL COMMUNICATIONS.**

**PSK/SSTV/RTTY AND ECHOLINK ARE A FEW OF  
THESE OPTIONS**

**IF YOUR RADIO HAS VOX CONTROL YOU MAY BE  
ABLE TO USE JUST THE AUDIO PORTION**

**THE FOLLOWING SEQUENTIAL STEPS HAVE  
BEEN ILLUSTRATED TO EASE CONSTRUCTION  
WITH PREDRILLED BOARDS**



ADD AUDIO TRANSFORMERS

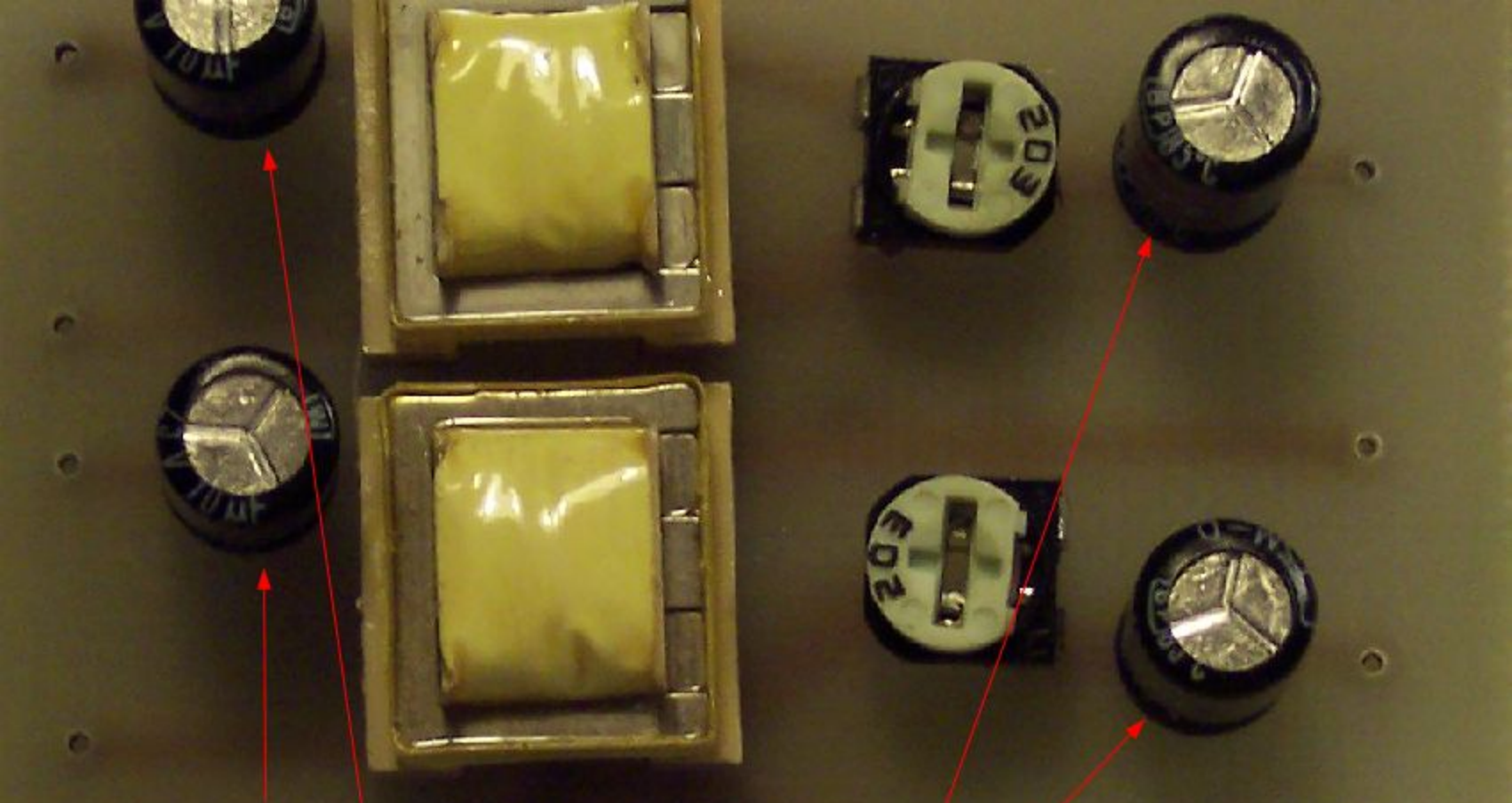
SA-801135





ADD 20K LEVEL ADJ POTS



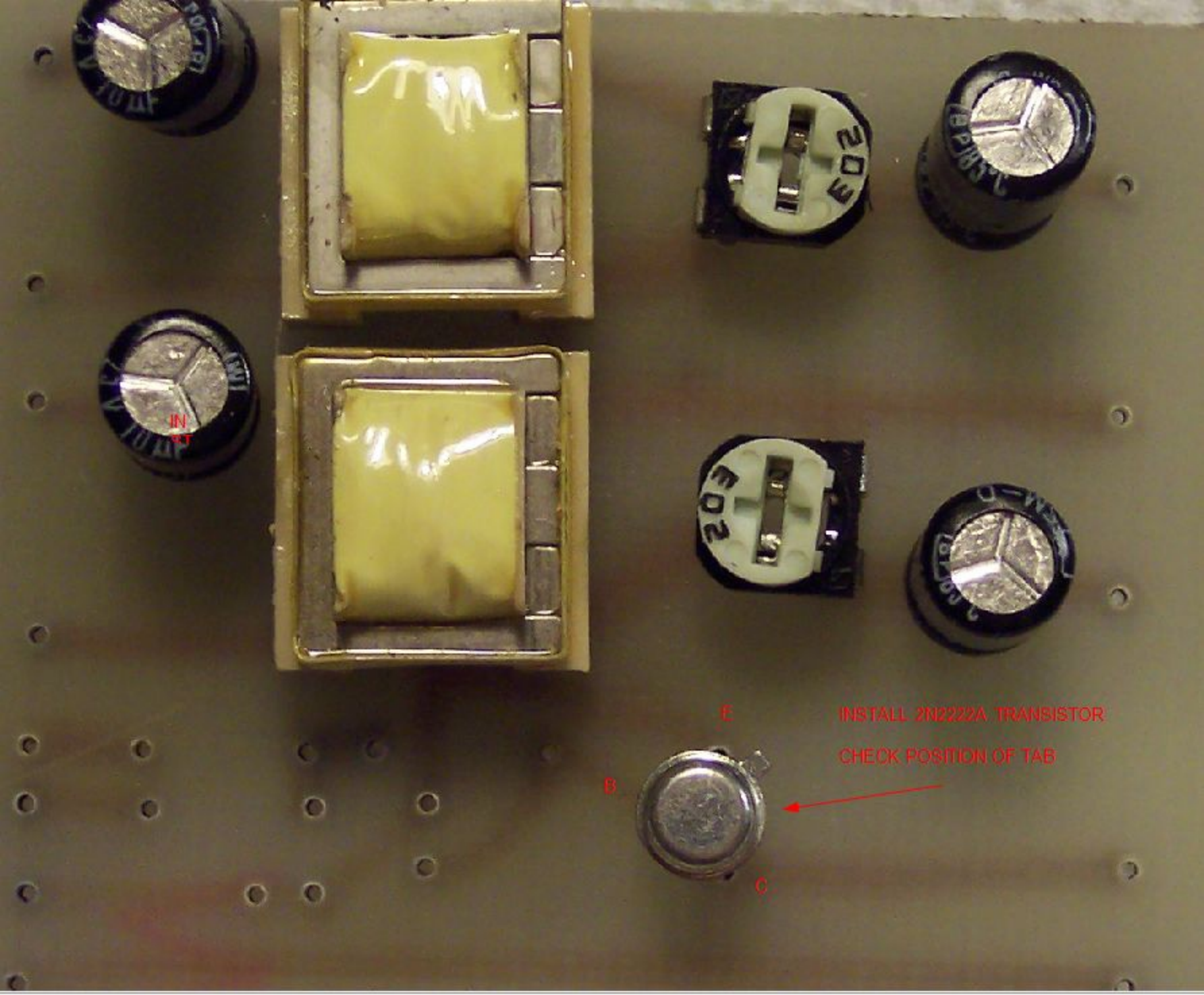


ADD 10 MFD CAPICATORS

IF NOT MARKED WITH POLARITY DIRECTION DOESNT MATER

IF MARKED PLACE + AWAY FROM TRANSFORMER





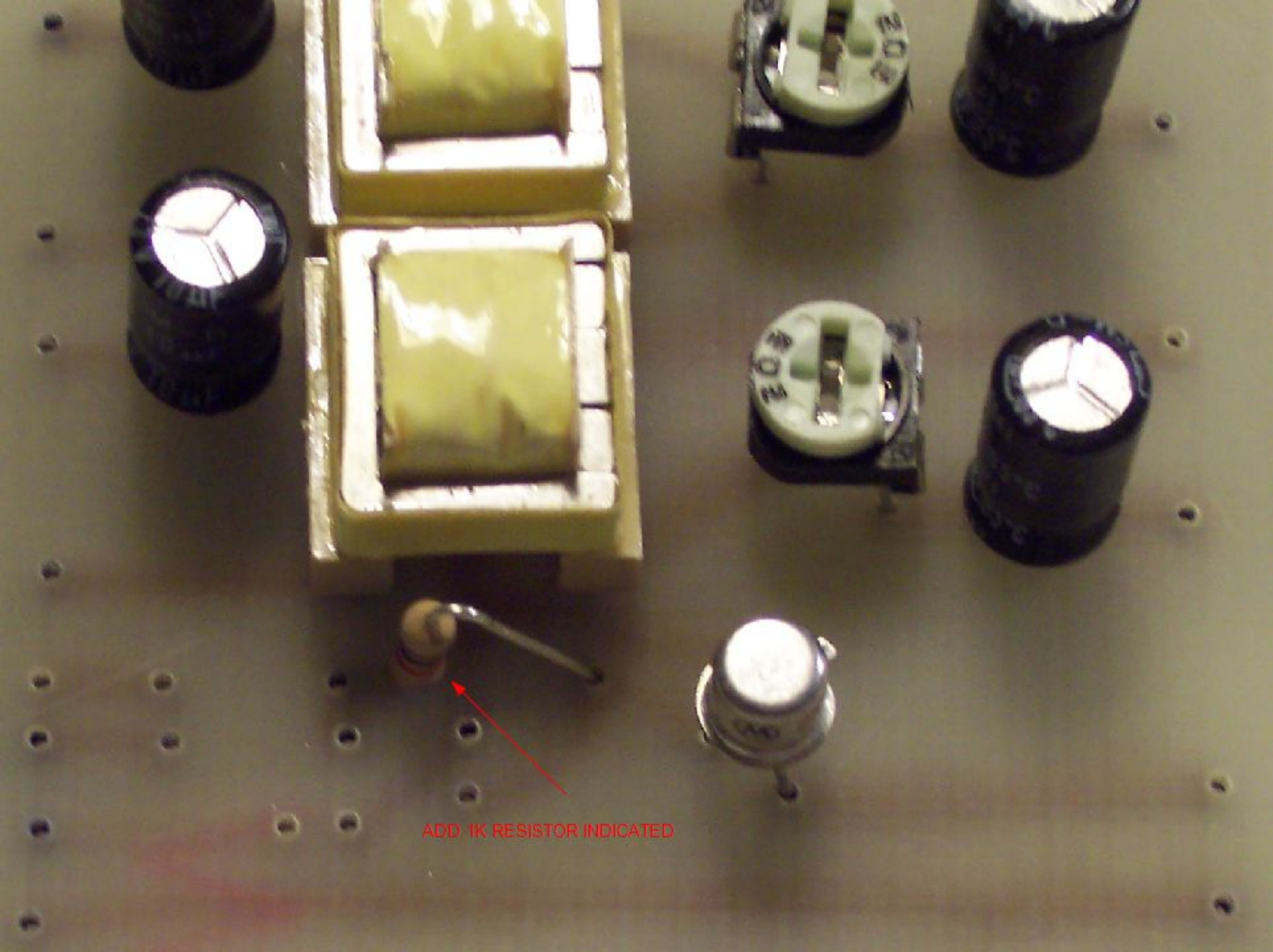
IN  
ST

E

INSTALL 2N2222A TRANSISTOR  
CHECK POSITION OF TAB

B

C



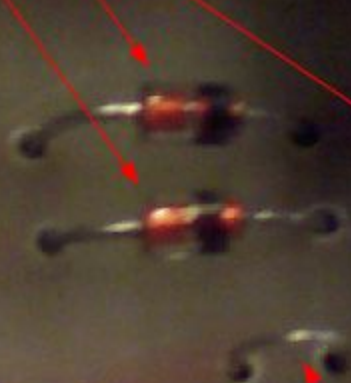
ADD 1K RESISTOR INDICATED





ADD DIODES

CHECK RING END



RING ON TOP

ADD STRAP

PC TO RADIO COMMON

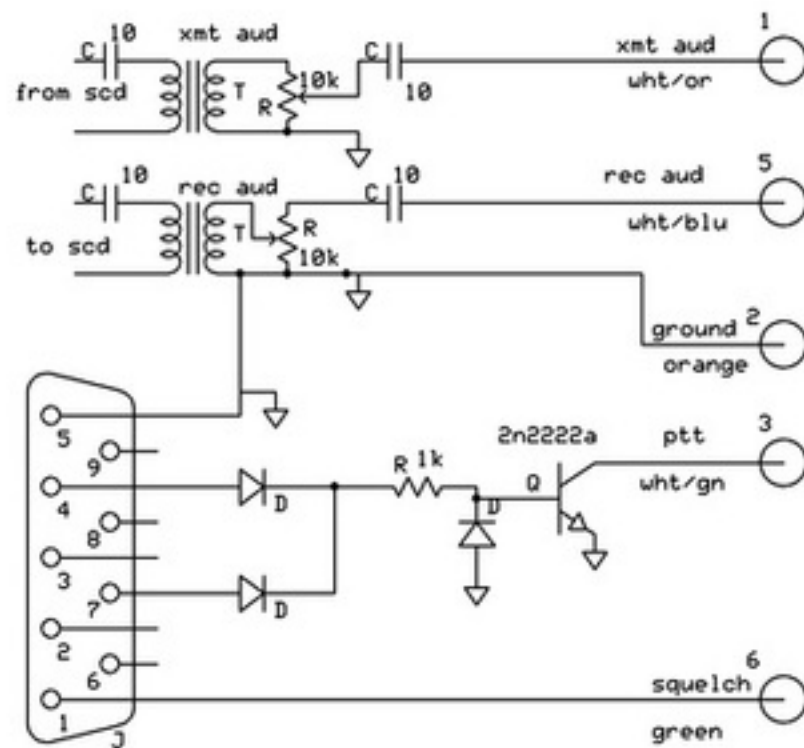




## PARTS:

TRANSFORMERS SA-801135	2 EA
TRANSISTOR 2N2222A	1 EA
RESISTOR 1/4 W 1KOHM	1 EA
20 K MINI POT	2 EA
10 MFD 25 V CAP	4 EA
1N914 DIODE	3 EA

6 PIN PKT/DATA



FT 857 INTERFACE

K4SLB INTERFACE